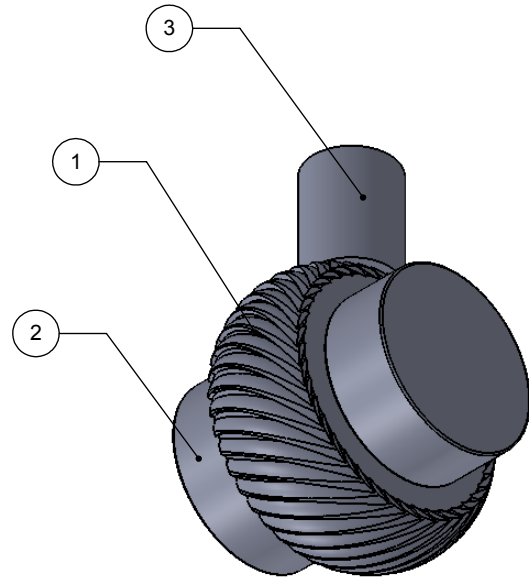
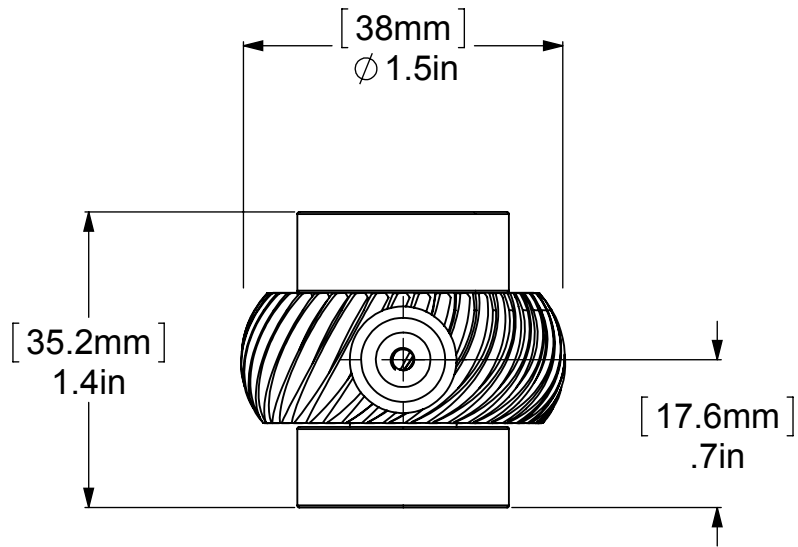
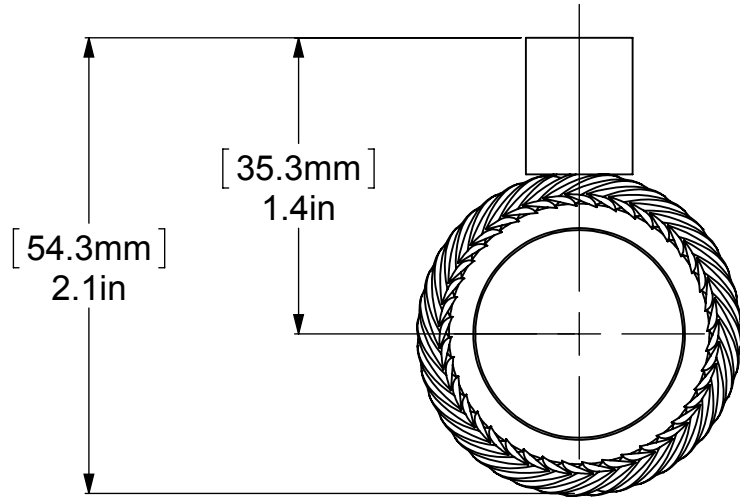


ITEM NO.	PART NUMBER	DESCRIPTION	QTY.
1	RGTWT	HUB	1
2	Card-1	END LOCK	2
3	PSRD8-12	BASE TUBE	1



**APPROVED FOR PRODUCTION**  
 By: RICHARD PAUL  
 Date: 6-2-2021

UNLESS OTHERWISE STATED	
.X	±.3mm
.XX	±.15mm
.XXX	±.008mm

COPYRIGHT © Allied Brass 2021



DRAWN	5-29-21	I.M
CHECKED	5-29-21	P.D
APPROVED	5-29-21	R.A

MATERIAL: BRASS  
 DESCRIPTION: 1-1/2 Inch Cabinet Knob



FINISH	TBD
QUANTITY	TBD
DRAWING No.	REV
102T	0
SCALE	1:0.9 SHEET: 01 A4